

Lansing 150 - 15 kW / 20 HP Submersible Drainage Pumps



DAEPUMPS.COM

info@daepumps.com

(760) 821-8112

SUBMERSIBLE DRAINAGE PUMP

Submersible slurry pump with a 4-pole motor for an increased lifetime and greater convenience. High chrome alloy impeller combined with agitator for pumping heavy slurry. Slim design with a top discharge enabling installation in smaller casing. For bentonite mixed water in foundation works or muddy water in civil engineering works.

SPECIFICATION

- Capacity: up to 372 m³/h
- Head: up to 32 meters
- Discharge: 80mm(3") to 200mm(8")
- Power: 4 kW(5.5HP) to 22 kW (30HP)
- Power supply: three phase
 - 380V ± 10%,50Hz
 - 380V ± 10%,60Hz
- Insulation class: F
- Protection class: IP68
- Cable length: 8m
- Water temperature: up to 40°C
- Max. water depth: 15m

SPECIAL FEATURES ON REQUEST

- Other voltages
- The length of cable is optional

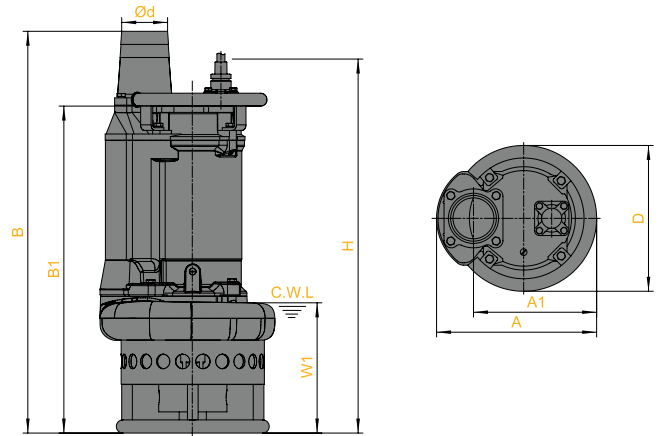
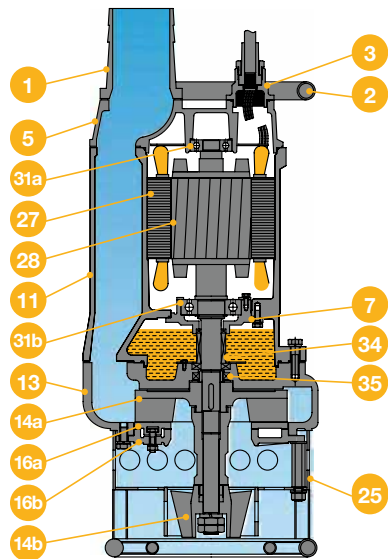
APPLICATION

- Civil engineering
- Mines, quarries, coal ore & slurries
- Sewage treatment plants
- General pumping purposes
- Pumping fluid: sludge, liquids-containing mud and bentonite

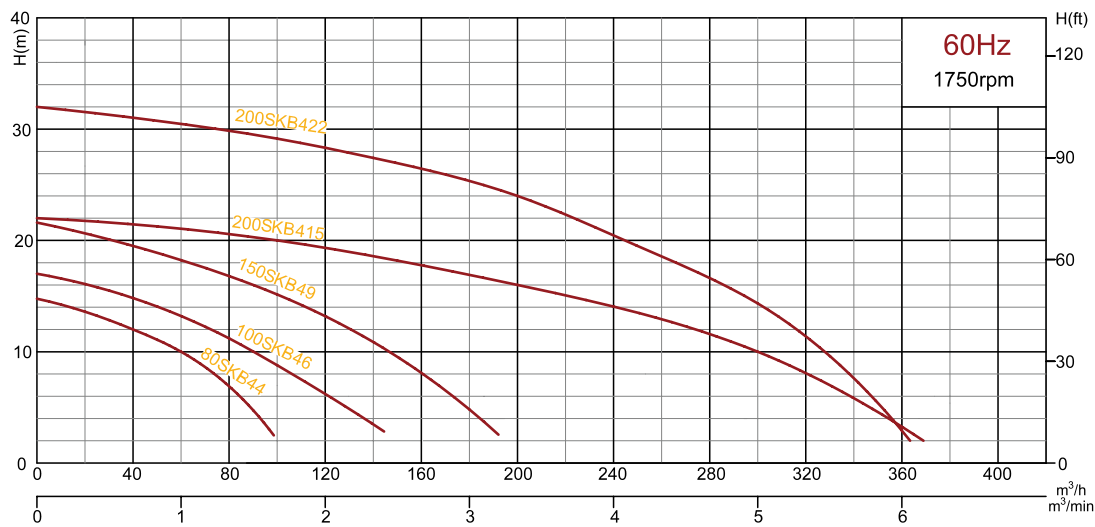
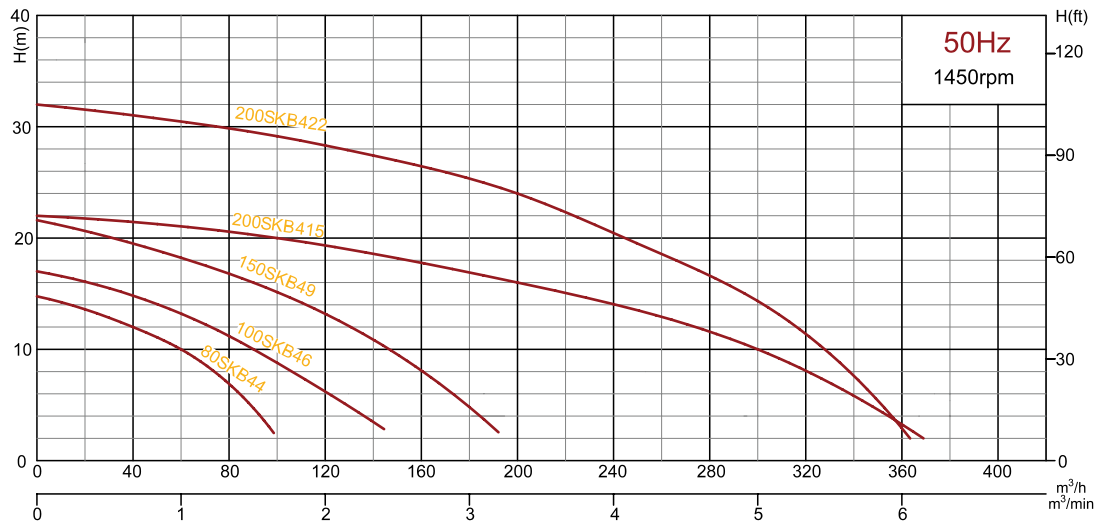


Item No.	Part name	Material
01	Hose coupling	Cast iron
02	Handle	Steel
05	Upper cover	Cast iron
07	Bearing house	Cast iron
11	Motor body	Cast iron
13	Pump body	Cast iron
14a	Impeller	High chrome alloy
14b	Agitator	High chrome alloy
16a	Inlet plate	High chrome alloy

Item No.	Part name	Material
16b	Inlet plate	Cast iron
25	Strainer	Steel
27	Stator	
28	Rotor	Shaft:AIS1420SS
31a	Bearing	Ball bearing
31b	Bearing	Ball bearing
34	Mechanical sea	Sic-Sic/Sic-Sic Tc-Sic/Sic-Sic(≥15kW)
35	Oil seal	
47	Cable	



Model 50/60HZ	Outlet in	Motor power kW	HP	Starting Method	Rated current (380V) A	Rated capacity m3/h	m3/min	Rated head m	Max capacity m3/h	m3/min	Max head m	impeller passage mm
Lansing 40	3.2	4	5.5	D.O.L.	10.2	60	1	10	99	1.65	14.8	1.2
Lansing 60	3.9	6	8	D.O.L.	13.8	90	1.5	10	144	2.4	16.9	1.2
Lansing 90	5.9	9	12	D.O.L.	19.5	100	1.67	15	192	3.2	21.5	1.2
Lansing 150	7.9	15	20	D.O.L.	30.1	200	3.33	16	372	6.2	22	1.2
Lansing 220	7.9	22	30	Star-Delta	42	200	3.33	24	360	6	32	1.2



Model 50/60HZ	Outlet in	Motor power kW	power HP	Starting Method	Rated current (380V) A	Rated capacity m3/h	m3/min	Rated head m	Max capacity m3/h	m3/min	Max head m	impeller passage mm
Lansing 40	3.2	4	5.5	D.O.L.	10.2	60	1	10	99	1.65	14.8	1.2
Lansing 60	3.9	6	8	D.O.L.	13.8	90	1.5	10	144	2.4	16.9	1.2
Lansing 90	5.9	9	12	D.O.L.	19.5	100	1.67	15	192	3.2	21.5	1.2
Lansing 150	7.9	15	20	D.O.L.	30.1	200	3.33	16	372	6.2	22	1.2
Lansing 220	7.9	22	30	Star-Delta	42	200	3.33	24	360	6	32	1.2